

Doha solar container module equipment





Doha solar container module equipment



Doha Photovoltaic Container Workshop Modular Solar Solutions for ...

Discover how photovoltaic container workshops are transforming solar energy deployment in Qatar. This guide explores innovative designs, cost benefits, and real-world applications of modular PV solutions ...

THE 4 BEST SOLAR ENERGY EQUIPMENT SUPPLIERS IN DOHA

What is energy storage container? SCU uses standard battery modules, PCS modules, BMS, EMS, and other systems to form standard containers to build large-scale grid-side energy storage projects. [pdf] ...



DOHA ENERGY STORAGE CONTAINER MANUFACTURER

Doha new solar container module manufacturer Topaz Solar along with local partners is setting up a State of art Fully Automatic Solar Module manufacturing plant in Doha, Qatar with 600MW capacity ...

Doha container energy storage equipment

BESS Container Product: A Battery Energy Storage System (BESS) container is a versatile product that offers scalable and flexible energy storage solutions. Housed within a weather-



resistant enclosure, it ...



Doha Photovoltaic Power Generation Equipment Inverter: Powering ...

Why Doha's Solar Market Demands Advanced Inverters Doha's photovoltaic (PV) sector is booming - think of it as the sunlit engine driving Qatar's energy diversification goals. With 300+ days of annual ...

Doha Photovoltaic Container Workshop: Modular Solar Solutions for ...

Discover how photovoltaic container workshops are transforming solar energy deployment in Qatar. This guide explores innovative designs, cost benefits, and real-world applications of modular PV solutions ...



DOHA ENERGY STORAGE CONTAINER SALES , Solar Power ...

Doha solar energy storage principle The BYD containerized Energy Storage System is rated at 250 kW (300 KVa) and 500 KWh with nominal output voltage of 415 VAC at a frequency of 50Hz and is ...



Intelligent Photovoltaic Energy Storage Container for Doha Field ...

High-efficiency Mobile Solar PV Container with foldable solar panels, advanced lithium battery storage (100-500kWh) and smart energy management. Ideal for remote areas, emergency rescue and ...

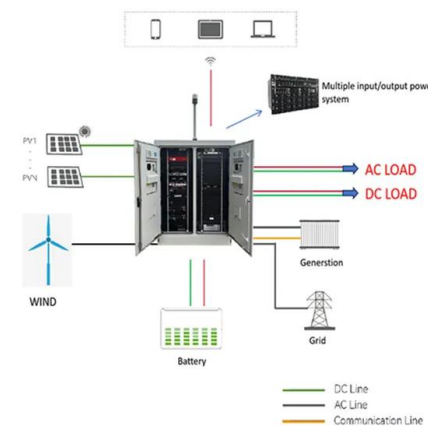


Doha mobile solar container vehicle manufacturer

Enter Doha Power Storage Vehicle Manufacturer - a game-changer in mobile energy solutions that's redefining grid flexibility across arid regions and urban centers alike.

DOHA CIMC CONTAINER ENERGY STORAGE , Solar Power Solutions

Doha solar energy storage principle The BYD containerized Energy Storage System is rated at 250 kW (300 KVa) and 500 KWh with nominal output voltage of 415 VAC at a frequency of 50Hz and is ...



Deye inverters and Deye batteries are more compatible.

Doha solar container sales factory operation

As the photovoltaic (PV) industry continues to evolve, advancements in Doha solar container sales factory operation have become critical to optimizing the utilization of renewable energy sources. ...



DOHA SOLAR CONTAINER DEVICE MANUFACTURER

Qatar Solar Technologies (QSTec) Located in the heart of Doha, With a state-of-the-art manufacturing facility, QSTec specializes in producing high-quality photovoltaic (PV) modules, catering to both local ...

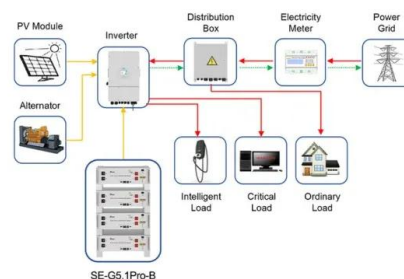


SOLAR CONTAINER PROJECT EQUIPMENT DISTRIBUTOR

Doha new solar container equipment project Doha-based QTerminals has launched a major long-term project to install solar panels on the reefer container stacks at container terminals CT1 and CT2 in ...

DOHA MOBILE ENERGY STORAGE EQUIPMENT , Solar Power ...

Doha solar energy storage principle The BYD containerized Energy Storage System is rated at 250 kW (300 KVa) and 500 KWh with nominal output voltage of 415 VAC at a frequency of 50Hz and is ...



Application scenarios of energy storage battery products



Doha mobile solar container equipment company

About Doha mobile solar container equipment company As the photovoltaic (PV) industry continues to evolve, advancements in Doha mobile solar container equipment company have become critical to ...



DOHA ENERGY STORAGE CONTAINER TRANSPORT , Solar ...

Doha solar energy storage principle The BYD containerized Energy Storage System is rated at 250 kW (300 KVa) and 500 KWh with nominal output voltage of 415 VAC at a frequency of 50Hz and is ...



Best Solar Container Project ROI in Qatar 2025-2030: Price per kWh ...

Let's decode how containerized solar systems deliver 25-35% returns in Doha's desert climate. Solar Container ROI in Qatar: Break-Even in 4.5 Years? A typical 500 kW solar panel container project ...

Doha Photovoltaic Power Generation Equipment Inverter: Powering ...

This article explores how cutting-edge photovoltaic power generation equipment inverters meet Doha's unique needs while aligning with global renewable energy trends.



Doha mobile solar container technology factory operation position

From innovative battery technologies to intelligent energy management systems, these solutions are transforming the way we store and distribute solar-generated electricity. [PDF] Doha mobile solar ...



Solar container doha , Solar Power Solutions

About Solar container doha As the photovoltaic (PV) industry continues to evolve, advancements in Solar container doha have become critical to optimizing the utilization of renewable energy sources. ...



- LiFePO₄ Battery,safety
- Wide temperature: -20~55°C
- Modular design, easy to expand
- The heating function is optional
- Intelligent BMS
- Cycle Life:> 6000
- Warranty:10 years



No.1 Capacity Solar Container , Solarabox

Each Solarabox container is engineered by a certified R& D team with expertise in solar energy, electrical integration, and structural design. Our systems comply with standards for PV ...

The 4 Best Solar Energy Equipment Suppliers in Doha

In this guide, we explore the 4 best solar energy equipment suppliers in Doha, offering an overview of the services provided, key considerations for choosing a supplier, and general price ranges to suit ...



DOHA MOBILE ENERGY STORAGE MODULE , Solar Power Solutions

Doha solar energy storage principle The BYD containerized Energy Storage System is rated at 250 kW (300 KVa) and 500 KWh with nominal output voltage of 415 VAC at a frequency of 50Hz and is ...



Contact Us

For catalog requests, pricing, or partnerships, please visit:
<https://goodstays.co.za>