

Shared solar container power station epc

1mwh (500kw/1mw)

AIR COOLING
ENERGY STORAGE CONTAINER





Shared solar container power station epc



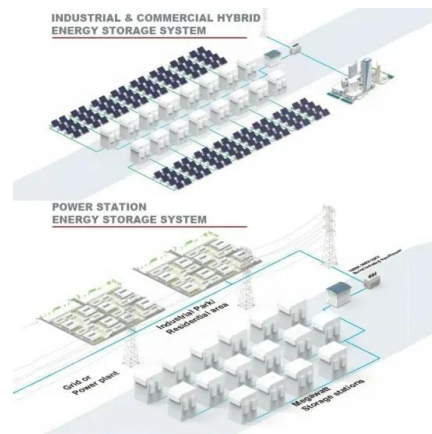
Hazte con la aplicación oficial en tu teléfono o tablet Android. Descubre qué temas están arrasando en todo el mundo: desde los vídeos musicales del momento hasta los contenidos más



Instala la app oficial de para teléfonos y tablets Android. Descubre lo que está mirando el mundo, desde los videos musicales más populares hasta las tendencias en videojuegos, moda,

Shared

1. a. To accord a share in (something) to another or others: shared her chocolate bar with a friend. b. To divide and parcel out in shares; apportion: shared the estate among his heirs. 2. a. To participate in, ...



SHARED

shared definition: used or experienced by more than one person or group. Check meanings, examples, usage tips, pronunciation, domains, and related words. Discover expressions like "shared care", ...



shared

share1 (shâr), n., v., shared, sharing. n. the full or proper portion or part allotted or belonging to or contributed or owed by an individual or group. one of the equal fractional parts into which the capital ...

SHARED definition and meaning , Collins English Dictionary

SHARED definition: a part or portion of something owned, allotted to, or contributed by a person or group , Meaning, pronunciation, translations and examples



What does Shared mean?

Shared refers to something that is used, experienced or possessed by two or more individuals or entities together or to participate in something jointly. It describes the common use or joint ownership of ...





?App

Hazte con la aplicación oficial en tu iPhone o iPad. Descubre qué temas están arrasando en todo el mundo: desde los vídeos musicales del momento hasta los contenidos más populares sobre ...

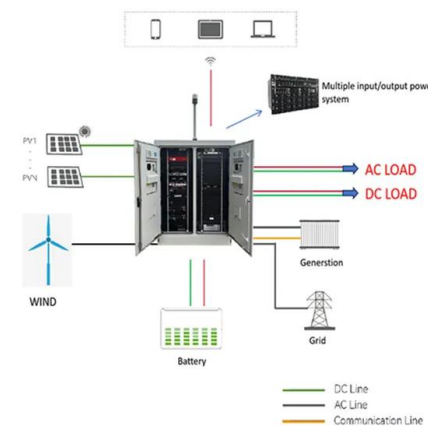


Descargar la aplicación para móviles

Abre Play Store en tu dispositivo móvil. Busca " ". Selecciona la aplicación oficial de . Toca Instalar. Visita el Centro de Ayuda de Google Play para obtener más información sobre

Shared Definition & Meaning , YourDictionary

Shared definition: Used by [multiple entities](#) or for multiple [purposes](#) or in multiple [ways](#).



Contact Us

For catalog requests, pricing, or partnerships, please visit:
<https://goodstays.co.za>