

Solar container power station capacity electricity fee standard table





Overview

The following table summarizes the estimated 2021 capacity factor (in the first year of operation) for each resource category and each resource category's associated U. Utility-Scale PV Resource Classes Summary of Technology Innovations by Scenario (2035). 2023 ATB data for utility-scale solar photovoltaics (PV) are shown above, with a Base Year of 2021. ROWs issued prior to July 1, 2024, must request to convert to these rates before July 1, 2026, per 43 CFR 2806. Learn how to break down costs for containerized battery systems - from hardware to hidden fees - and discover why 72% of solar+storage projects now prioritize modular designs. Looking at 100 MW systems, at a 2-hour duration, gravity-based energy storage is estimated to be over \$1,100/kWh but drops to approximately \$200/kWh at 100 hours.



Solar container power station capacity electricity fee standard table

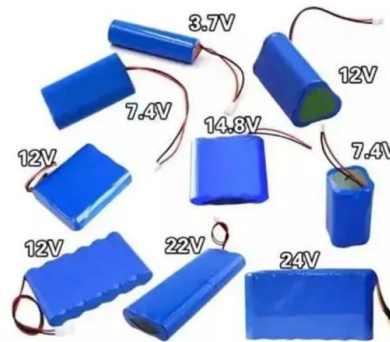


eCFR :: 43 CFR 2806.52 -

§ 2806.52 Annual rents and fees for solar and wind energy development. You must pay the greater of either an annual acreage rent or a capacity fee. The acreage rent and capacity fee are ...

Attachment 3 Capacity Fee

Attachment 3 Capacity Fee The Bureau of Land Management (BLM) determines the capacity fee by multiplying the annual power generated on the right-of-way (ROW), rounded up to the nearest tenth, ...



Understanding the Energy Storage Power Station Electricity Price

Summary: This article explores the dynamics of electricity pricing standards for energy storage power stations, analyzing their applications across industries, cost benchmarks, and emerging trends.

Capital Cost and Performance Characteristics for Utility-Scale ...

Table 2 provides a comparison of updated overnight cost estimates for technologies substantially similar to those developed for the 2019 report. To facilitate comparisons, the costs



are expressed in 2023 ...



Can I run power to a shipping container? Off-Grid Solar Solutions for

In practice, power and wiring in the container follow standard safety rules: ground all metal, use appropriate breakers and conduit, and adhere to the code. One industry summary ...

MAHARASHTRA STATE ELECTRICITY DISTRIBUTION CO. LTD

The Maharashtra Electricity Regulatory Commission, in exercise of the powers vested in it under Sections 61, 62 and 86 of the Electricity Act, 2003 (EA, 2003) and all other powers enabling it in this ...



Energy storage station design fee standard table

The cost categories used in the report extend across all energy storage technologies to allow ease of data comparison. Direct costs correspond to equipment capital and installation, while ...

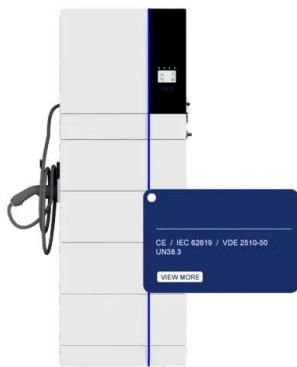


Shipping Container Solar Systems in Remote Locations: An Overview

What Are Shipping Container Solar Systems? Understanding the Basics A shipping container solar system is a modular, portable power station built inside a standard steel container. A ...



**2MW / 5MWh
Customizable**



Solar Container , Large Mobile Solar Power Systems

LZY mobile solar systems integrate foldable, high-efficiency panels into standard shipping containers to generate electricity through rapid deployment generating ...

SOLAR CONTAINER POWER STATION CAPACITY ...

Utility-scale BESS system description a?? Figure 2. Main circuit of a BESS Battery storage systems are emerging as one of the potential solutions to increase power system flexibility in the presence of a?, ...

TAX FREE

ENERGY STORAGE SYSTEM

Product Model
HJ-ESS-215A(100KW/215KWh)
HJ-ESS-115A(50KW 115KWh)

Dimensions
1600*1280*2200mm
1600*1200*2000mm

Rated Battery Capacity
215KWH/115KWH

Battery Cooling Method
Air Cooled/Liquid Cooled



Schedule of Standard Fees 2024/25

These charges are referred to as "standard charges" and are raised in addition to the standard tariff prices. This document lists all the standard charges applicable to both loads and generator customers.



ENERGY STORAGE STATION DESIGN FEE STANDARD TABLE

New modular designs enable capacity expansion through simple container additions at just \$210/kWh for incremental capacity. These innovations have improved ROI significantly, with commercial projects ...

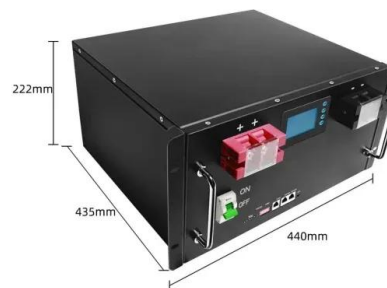


How to Calculate the Cost of Energy Storage Container Power ...

Planning an energy storage project? Learn how to break down costs for containerized battery systems - from hardware to hidden fees - and discover why 72% of solar+storage projects now prioritize ...

Electric Power Monthly

Totals may not equal sum of components because of independent rounding. Source: U.S. Energy Information Administration, Form EIA-861M (formerly EIA-826), Monthly Electric Power Industry Report.



Can I run power to a shipping container? Off-Grid Solar ...

In practice, power and wiring in the container follow standard safety rules: ground all metal, use appropriate breakers and conduit, and adhere to the ...



Solar Photovoltaic System Cost Benchmarks , Department of Energy

The U.S. Department of Energy's solar office and its national laboratory partners analyze cost data for U.S. solar photovoltaic systems to develop cost benchmarks to measure progress towards goals and ...



Attachment 3 Capacity Fee

6, per 43 CFR 2806.51(c). The capacity fee will be collected when it exceeds the acreage rent for the solar o The formula for calculating the annual capacity fee for a solar or wind energy development ...



Energy storage station design fee standard table

The 2020 Cost and Performance Assessment provided installed costs for six energy storage technologies: lithium-ion (Li-ion) batteries, lead-acid batteries, vanadium redox flow batteries, ...



Utility-Scale PV , Electricity , 2023 , ATB , NLR

The PV industry typically refers to PV CAPEX in units of \$/kW DC based on the aggregated module capacity. The electric utility industry typically refers to PV CAPEX in units of \$/kW AC based on the ...





Solar container power station capacity cost calculation table

This study estimates the capacity value of a concentrating solar power (CSP) plant at a variety of locations within the western United States. This is done by optimizing the operation of the CSP plant

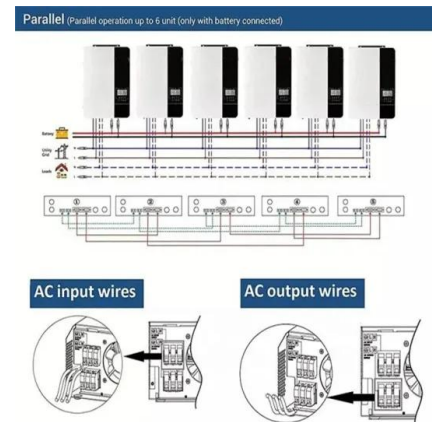


TARIFFS & CHARGES BOOKLET 2024/2025

Active energy charge or energy charge means the charge for each unit of energy consumed, typically charged for as c/kWh. eading, billing, and meter capital. It is based on the monthly utilised capacity ...

Energy Storage Power Station Electricity Fee Settlement Standards: A

AFRI SOLAR - As renewable energy adoption surges globally, energy storage power stations have become critical for grid stability. The electricity fee settlement standard table serves as the financial ...



Contact Us

For catalog requests, pricing, or partnerships, please visit:
<https://goodstays.co.za>