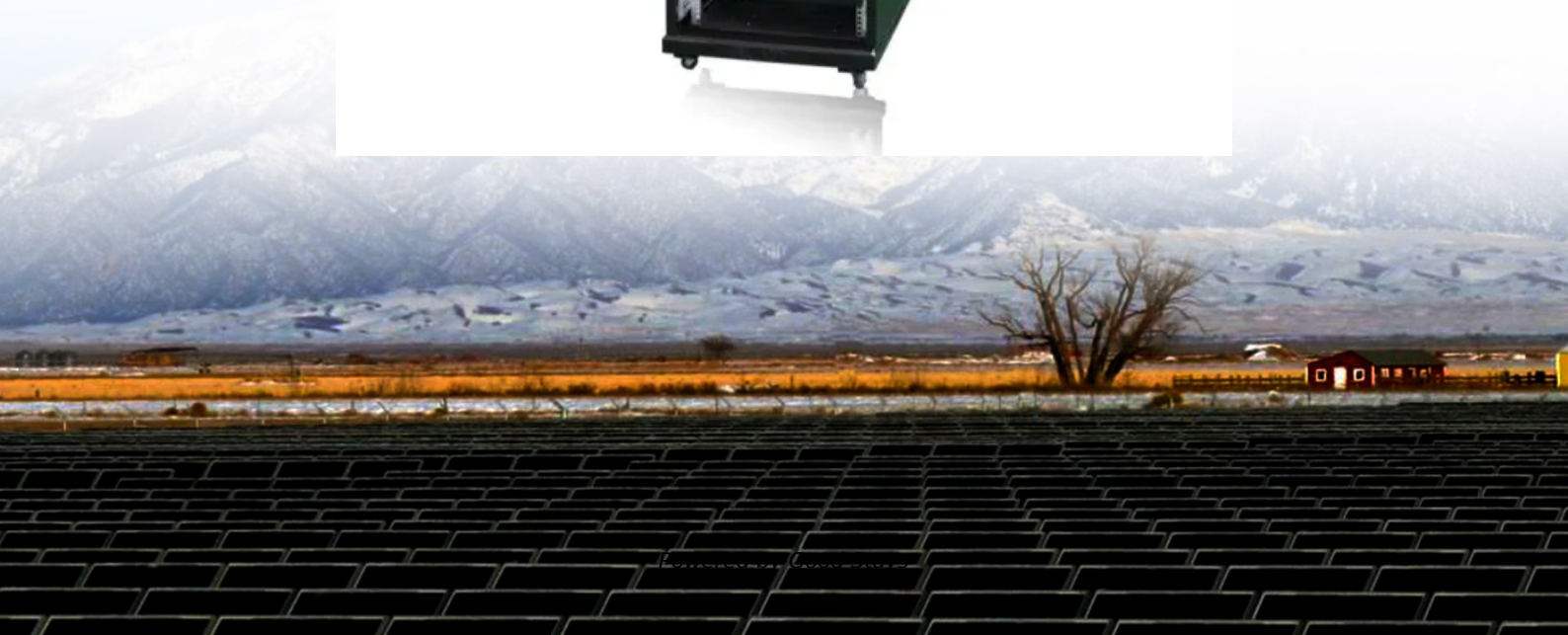


# Solar container power station fire prevention inspection plan template





## Solar container power station fire prevention inspection plan template



### Illinois Solar for All Onsite Inspection Checklist.

The first type of inspection deals with the electrical portion of the system, while the second type of inspection focuses on the structural characteristics. Within every PV system there are some portions ...

### Energy Storage Safety Strategic Plan

Acknowledgments The Department of Energy Office of Electricity Delivery and Energy Reliability Energy Storage Program would like to acknowledge the external advisory board that contributed to the topic ...



### Prospect and Jaus Solar Emergency Response Plan

Horus Energy is proposing to construct and operate the Prospect and Janus Solar + Storage Projects (the "Projects"), a 200 MWac solar energy generation with a 100MW battery energy storage and an ...



### HANDBOOK ON DESIGN, OPERATION AND MAINTENANCE OF SOLAR ...

This Handbook covers "General Practice" and "Best Practice" associated with solar PV system installation and maintenance. "General Practice" refers to general requirements in fulfilling



statutory ...



### Summary of fire inspection of solar container power station

What is a Scope 12 inspection and why is it important for fire safety? A Scope 12 inspection is a comprehensive safety assessment specifically designed for commercial solar installations that ...

### Fire Prevention and Safety Plan: Sapphire Solar Project

Activity Risk: Activity risks include those actions that present a risk of igniting a wildfire. Site Safety Officer (SSO): The SSO serves as a liaison to the emergency service agencies and all contractors or ...



TAX FREE

**Product Model**  
HJ-ESS-215A(100KW/215KWh)  
HJ-ESS-115A(50KW 115KWh)

**Dimensions**  
1600\*1280\*2200mm  
1600\*1200\*2000mm

**Rated Battery Capacity**  
215KWH/115KWH

**Battery Cooling Method**  
Air Cooled/Liquid Cooled

### Fire Prevention Plan Sample Written Program

This sample plan contains the basic elements of a fire prevention plan. However, an employer should review the OSHA standards that apply to its situation, company, and facility, and customize this plan ...



# A Guide to Fire Safety with Solar Systems

Firefighters arrive at the scene of a fire, and then identify the solar system on the structure, shut it down, watch for hazards as they extinguish the flames, and make sure the scene is safe when they leave. ...



LPR Series 19  
Rack Mounted

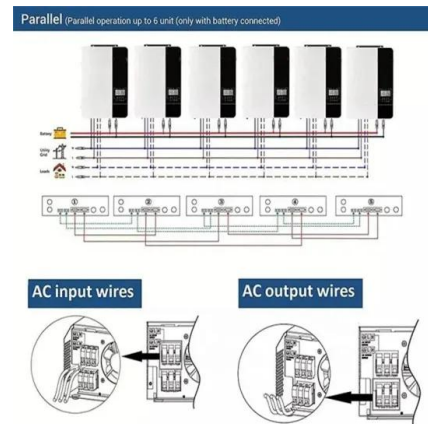


## Fire and Safety Considerations for Solar PV

The 2015 International Fire Code (IFC), Section 605.11 addresses requirements for solar photovoltaic power systems. Requires minimum setbacks for roof-mounted PV arrays to allow firefighters safe ...

## Fire\_Safety\_for\_Solar\_PV\_12-2-21-Books

This presentation will provide an introduction solar photovoltaic technology, identifying different solar PV systems, common safety hazards and how to safely to disable a solar PV system.



## Appendix D Yellow Pine Solar Project Fire Management Plan

Fire safety is everyone's responsibility. All employees should know how to prevent and respond to fires, and are responsible for adhering to company policy regarding fire emergencies.



## Fine-tuning with gpt-oss and Hugging Face Transformers

Now that we've installed the required libraries, let's take a look at the dataset that we will use for fine-tuning. Prepare the dataset We will be using Multilingual-Thinking, which is a reasoning dataset ...



### Commercial and Industrial ESS

Air Cooling / Liquid Cooling

- Budget Friendly Solution
- Renewable Energy Integration
- Modular Design for Flexible Expansion



## Fire Prevention and Safety Plan: Sapphire Solar Project

Fire Safety Plan Notification: The Fire Prevention and Safety Plan will be provided to RCFD's closest fire station staff, and available on scene within a Knox Box.

## Fire Fighter Safety and Emergency Response for Solar Power ...

FOREWORD Today's emergency responders face unexpected challenges as new uses of alternative energy increase. These renewable power sources save on the use of conventional fuels such as ...



## Field Make Inspection Checklist for

ck and toe the oved plan. modu req ui red fire classi les acc ficatio C 1505.9 or IR d according ording to the man n ufa [IB cturer' s i ns tallC R902.4]. converters, combiners, inverters, rapid shutdown ...



### Preliminary Emergency Action Plan

This plan contains guidance in determining the appropriate actions to be undertaken to prevent injury and property loss, minimize hazards to human health and safety and to the environment from fire, ...



### BATTERY STORAGE FIRE SAFETY ROADMAP

The investigations described will identify, assess, and address battery storage fire safety issues in order to help avoid safety incidents and loss of property, which have become major challenges to the ...

### Solar Site Safety Checklist , Xenia Templates

The Solar Site Safety Checklist is a comprehensive tool used to assess and ensure the safety of solar installation sites. It covers various aspects of solar energy systems, including equipment, electrical ...



Support any customization

- Inkjet
- Color label
- LOGO



### FIRE SAFETY OF PV SYSTEMS

The aim of this paper is to evaluate and display the actual situation concerning fire incidents including a PV system in selected countries and to derive if there is a significant contribution of building related ...



## Fire Protection and Prevention

The regulations that apply to fire protection and prevention can be found mainly in Subpart F of the construction standards, though the requirement for a fire prevention program is first set out in ...



## Fire Prevention Plan Template , PDF , Fires , Water

This document provides a template for creating a fire prevention plan. It includes guidance on how to complete the template and what information should be included in a fire prevention plan.



## Fire\_Safety\_for\_Solar\_PV\_12-2-21-Books

This presentation will provide an introduction solar photovoltaic technology, identifying different solar PV systems, common safety hazards and how to safely to disable a solar PV system.



## Fire Safety Checklists & Templates , Fire Safety Solutions, Inc.

Explore up-to-date fire safety regulations, inspection standards, product updates, and expert guidance. Whether you're a property manager or facility director, our resource center helps you stay prepared ...





## Solar checklists for Florida building, fire, and safety codes

The free checklists offer a step-by-step process for interpreting the Sunshine State's structural, electrical, and fire safety codes as well as an ...



## energy storage power station fire prevention inspection plan template

When you're looking for the latest and most efficient energy storage power station fire prevention inspection plan template for your PV project, our website offers a comprehensive selection of cutting ...

## Contact Us

---

For catalog requests, pricing, or partnerships, please visit:  
<https://goodstays.co.za>