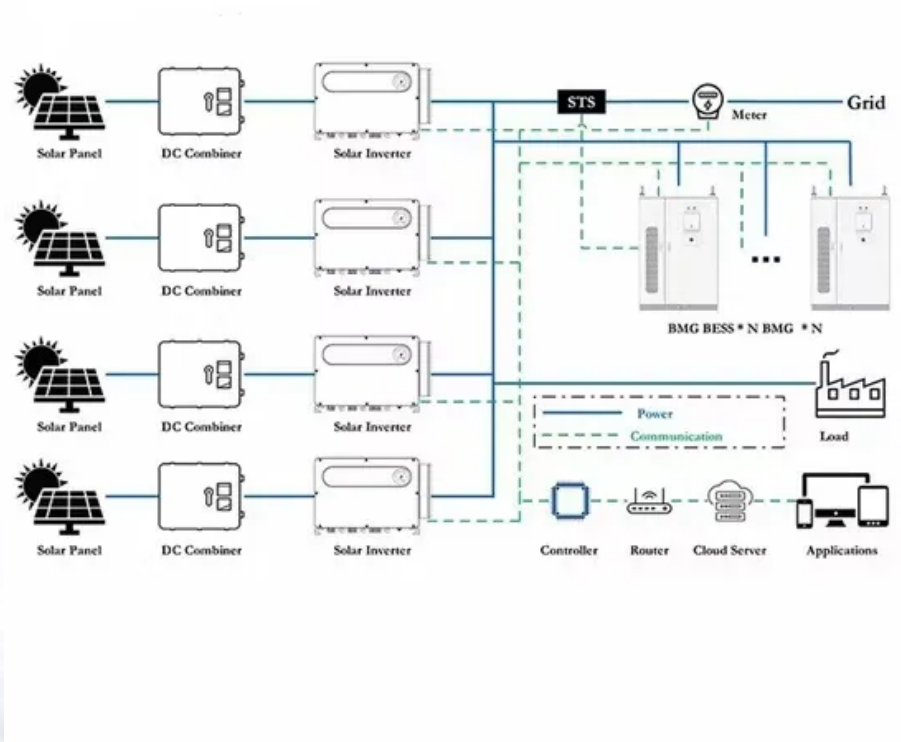


The largest form of solar container among new solar container





Overview

The container is equipped with foldable high-efficiency solar panels, holding 168–336 panels that deliver 50–168 kWp of power. It is the perfect alternative to unstable grid power and diesel generators, keeping operations running even in remote areas or where infrastructure is. Due to its construction, our solar panels on shipping container offers unmatched flexibility and maneuverability.



The largest form of solar container among new solar container



Solar Container Specifications , Mobile Solar Systems , Sunmaygo

Our foldable solar containers combine advanced photovoltaic technology with modular container design, delivering rapid-deployment, off-grid renewable energy with industry-leading efficiency.

Best Foldable Solar Container for Off-Grid Power , Sunmaygo

Discover the world's leading foldable solar container with 40% higher energy density. Solarfold(TM) by Sunmaygo offers quick deployment & 70% lower costs than diesel.



THE LARGEST SOLAR CONTAINER OPERATING COMPANY

erating in the global solar container market. Based on the availability of data, information related to new products and . product portfolio, geographical presence, a?, solar container sector is rapidly evolving, ...

Solar Container Market Size, Share, Trends , Report 2035

In the Solar Container Market, Mobile Solar Containers hold the largest market share due to their versatility and increased demand for on-the-go renewable energy solutions.



How Do Solar Power Containers Work and What Are They?

One such innovation gaining rapid adoption is the solar power container. Solar power containers combine solar photovoltaic (PV) systems, battery storage, inverters, and auxiliary ...

Solar Container Market Share, Growth, Future Prospects, Forecast to ...

Solar container market was valued at \$220.0 million in 2024 and is projected to reach \$2,148.3 million by 2035, growing at a CAGR of 23.0% during the forecast period (2025-2035).



Solar Container Market Size, Growth & Opportunity Overview ...

The Solar Container Market size is expected to reach USD 7.9 billion in 2034 growing at a CAGR of 10.9. Focused on Solar Container Market size, segmentation, consumer behavior, demand ...



Solar Container Market Size, Market Assessment & Forecast 2033

Solar Container Market report includes region like North America (U.S, Canada, Mexico), Europe (Germany, United Kingdom, France), Asia (China, Korea, Japan, India), Rest of MEA And Rest of ...



Solar Container Companies

Solar Container industry insights on factors that are driving the growth of the Solar Container Market and key players along with their go to market strategies and new revenue sources.

No.1 Capacity Solar Container , Solarabox

The container is equipped with foldable high-efficiency solar panels, holding 168-336 panels that deliver 50-168 kWp of power. It is the perfect alternative to unstable grid power and ...



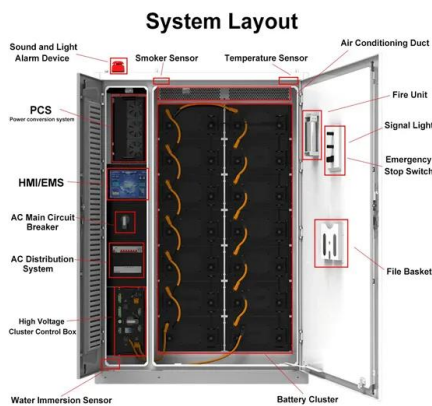
Solar container Mobil-Grid® 500+ solarfold , ECOSUN ...

Mobil-Grid® 500+ solarfold is a 20 Feet ISO High Cube container, with CSC certification, which integrates a plug and play pre-wired deployable and ...



Solar Container Market Size, Market Assessment & Forecast 2033

Discover comprehensive analysis on the Solar Container Market, expected to grow from USD 1.5 billion in 2024 to USD 5.2 billion by 2033 at a CAGR of 15.5%. Uncover critical growth factors, market ...



Global Market Outlook For Solar Power 2023

Our 2023 High Scenario foresees 402 GW new solar this year and close to 800 GW in 2027. Having achieved over 1 TW of total solar capacity in 2022, we now see the potential for an annual TW-scale ...

Solar Container Market Report , Global Forecast From 2025 To 2033

The hybrid solar container segment combines the benefits of both off-grid and on-grid systems. These containers can operate independently in off-grid mode when necessary and can also connect to the ...



Single Phase Hybrid

- 5 Year Warranty Period
- Global Leading Inverter Brand
- Top 3 World Single Phase PV Inverter Supplier

SolaraBox Solar Containers , Products & Configurations

A mobile solar container is a factory-built, transportable unit that integrates solar panels, battery storage, and power controls--providing plug-and-play, rapid-deploy clean electricity for remote sites, events, ...



Mobile Solar Container Systems , Foldable PV Panels , LZY Container

LZY Mobile Solar Container System - The rapid-deployment solar solution with 20-200kWp foldable PV panels and 100-500kWh battery storage. Set up in under 3 hours for off-grid areas, construction sites ...



Mobile Solar Container Power Generation Efficiency: Real-World

A mobile solar container is simply a portable, self-contained solar power system built inside a standard shipping container. These types of containers involve photovoltaic (PV) panels, ...

Largest Portable Solarcontainer In the World (Supply 50 Houses)

LARGEST Portable Solar Panels In the World (Supply 50 Houses). It is 140 kWp mobile Solar Power. Solarcontainer serves as a grid-independent solution, function



Solar Container Market Size, Share, Trends , Report 2035

Solar Container Market to Grow CAGR of 19.38% By 2035, by driving industry size, share, top company analysis, segments research, trends and forecast report 2025 to 2035.



Solar Container Market: Trends, Drivers, and Future Outlook

The solar container market is expected to grow rapidly in the coming years. According to MarketsandMarkets, the market size will rise from about \$0.29 billion in 2025 to around \$0.83 billion ...



51.2V 300AH

10 Best Solar Container Solutions for Sustainable Energy Use

The rise of solar container solutions exemplifies innovative approaches towards sustainable energy use. These mobile solar units have been successfully implemented in various settings, providing clean ...

Solar Container Market Size, Share and Growth Drivers 2030

Solar panels hold the largest market share in the solar container market as they are the primary power-generating component, directly responsible for converting sunlight into electricity.



Contact Us

For catalog requests, pricing, or partnerships, please visit:
<https://goodstays.co.za>