

Tram cairo kengzi solar container





Tram cairo kengzi solar container



SMA AND TRAMS IN THE FIELD OF SOLAR CONTAINER

Your trusted solar containers partner Established in 2012 and operating from Shanghai, China, Shanghai LZY Energy Storage Co., Ltd. is a scientific and technological innovative enterprise committed to a?, ...

Tram Container Energy Storage: Powering Smart Cities Efficiently

Here's where tram container energy storage shines. These 40-foot units combine lithium-ion batteries, thermal management, and smart grid interfaces in weatherproof packages.

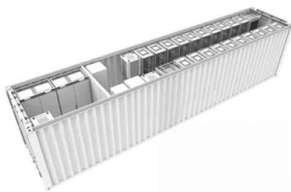


Tram Cairo Energy Storage Company: Powering Egypt's Green ...

The Storage Revolution Starts Here As Egypt positions itself as Africa's renewable energy hub, Tram Cairo Energy Storage Company isn't just keeping the lights on - we're rewriting the ...

cairo tram energy storage project

When you're looking for the latest and most efficient cairo tram energy storage project for your PV project, our website offers a comprehensive selection of cutting-edge products designed to meet your ...

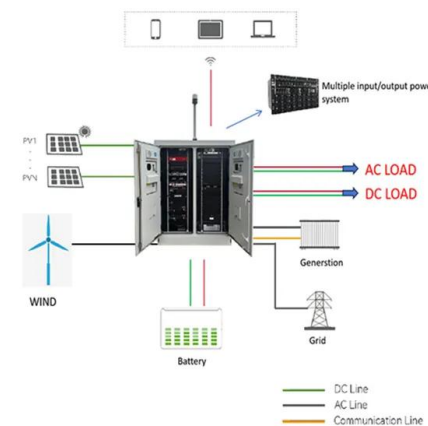


Tram energy storage container project , Solar Power Solutions

tram energy storage container contact information The energy storage containers are making it possible to store the energy produced by photovoltaics, wind turbines, or other renewables. & off-grid living ...

Tram Cairo Energy Storage Plant: Powering Egypt's ...

Instead of fighting nature, engineers created the "Pharaoh Filter"--a self-cleaning system using solar-powered vibrations. Now, accumulated sand gets harvested and sold to glass ...



TRAM CAIRO ENERGY STORAGE POWER STATION

Cairo's Solar Revolution: Inside the Photovoltaic Energy Storage Power Station a sprawling desert landscape near Cairo, where sunlight isn't just scorching hats but powering thousands of homes. The ...



cairo tram energy storage project

cairo tram energy storage project About cairo tram energy storage project As the photovoltaic (PV) industry continues to evolve, advancements in cairo tram energy storage project have become ...



TRAM CAIRO ENERGY STORAGE PROJECT , Solar Power Solutions

Cairo new energy storage container company CAIRO - 3 December 2023: Norway's Scatec and the Egyptian Electricity Holding Company (EEHC) have signed a cooperation agreement for the first a ...

The fate of the tram units is not known. These photographs are arguably a useful record of life in Cairo's suburbs in the late 1980s and, for transport enthusiasts, a vital source of imagery. These two images ...



LPSB48V400H
48V or 51.2V



Cairo national grid solar container plant operation

From innovative battery technologies to intelligent energy management systems, these solutions are transforming the way we store and distribute solar-generated electricity. [PDF] Cairo national grid ...





Tram Cairo Energy Storage Power Station

Cairo makes energy storage power supply Cairo makes energy storage power supply. CAIRO - 3 December 2023: Norway's Scatec and the Egyptian Electricity Holding Company (EEHC) have ...



Cairo Tram Energy Storage Experience Center: Where Pharaohs ...

A 19th-century tram gliding past the Pyramids of Giza powered by cutting-edge energy storage. Welcome to the Cairo Tram Energy Storage Experience Center, where ancient charm ...

Trams in Cairo

Trams were removed entirely from central Cairo but continued to run in Heliopolis and Helwan. [2] Map of the Cairo and Helwan tramway lines However, Helwan's part of the system shut down completely ...



SOLARX EGYPT

A solar-powered tram gliding past the Pyramids of Giza while its excess energy gets stored in Africa's largest battery system. That's not sci-fi - it's the Tram Cairo Energy Storage Power Station redefining ...



TRAM CAIRO KENGZI ENERGIEOPSLAG

Cairo exhibition energy storage The show brings together energy manufacturers and suppliers from all over the world to showcase new technologies and innovative solutions covering the entire energy ...



CAIRO TRAM ENERGY STORAGE PROJECT BIDDING , Solar ...

Cairo new energy storage container company CAIRO - 3 December 2023: Norway's Scatec and the Egyptian Electricity Holding Company (EEHC) have signed a cooperation agreement for the first a ...

Cairo national grid solar container plant operation

Learn how to determine if you need a solar container based on grid access, energy demands, scalability, and deployment conditions. Ideal for remote, off-grid, or mobile power needs.



TRAM CAIRO ENERGY STORAGE COMPANY POWERING EGYPT'S

The global solar storage container market is experiencing explosive growth, with demand increasing by over 200% in the past two years. Pre-fabricated containerized solutions now account for ...



Cairo tram energy storage

The main route, the "metro" was the high-speed link with Cairo. In 1912 an inner loop was added and the system developed steadily until 1960 when the population rose to 140000. The new Egyptian ...



Outdoor Cabinet BESS
50 kWh/500 kWh Battery Storage System
Industrial and Commercial Energy Storage

- All in One**
Integrating battery packs
- High-capacity**
50-500kWh
- Degree of Protection**
IP54
- Operating Temperature Range**
-20~60°C.(Derating above 50 °C)
- Intelligent Integration**
integrated photovoltaic storage cabinet
- Rated AC Power**
50-100kW
- Altitude**
3000m(>3000m derating)

How Tram Container Energy Storage Projects Are Revolutionizing ...

Your city's trams silently gliding through streets, not just moving passengers but storing enough renewable energy to power 300 homes daily. Welcome to the world of tram container energy storage ...

TRAM CAIRO ENERGY STORAGE POWER STATION

Technological advancements are dramatically improving solar energy storage battery performance while reducing costs for commercial applications. Next-generation battery management systems maintain ...



Contact Us

For catalog requests, pricing, or partnerships, please visit:
<https://goodstays.co.za>